

BL PRO



Controlled Air Design
Raleigh, NC
(800) 635-0298
controlledairdesign.com



Depureco Industrial Vacuums USA

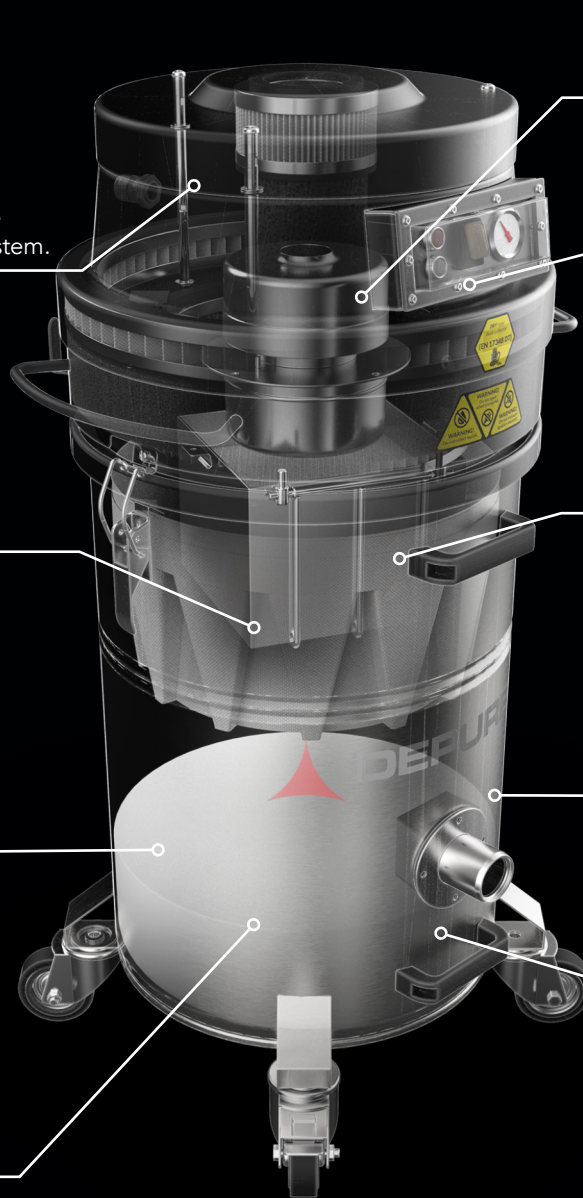
19121 Marketplace Avenue, Building 1, Suite 165
Plum Creek Business Park • Kyle • TX 78640

www.depurecousa.com
info@depurecousa.com

1.5 HP
POWER

930 in²
FILTER

11 gal
CAPACITY



BRUSHLESS MOTOR
120 V



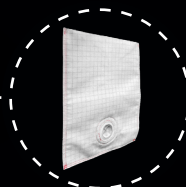
Head with double stage filtration system.



**[OPTIONAL]
FILTER CARTRIDGE
HEPA H14**



**M CLASS
ANTISTATIC
STAR FILTER**



**[OPTIONAL]
DISPOSAL FILTER BAG
M CLASS**



**ALL COMPONENTS
ARE GROUNDED**

**INLET
WITH DEFLECTOR Ø 2 in**

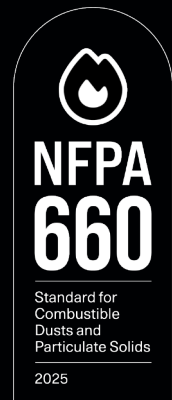
**STAINLESS STEEL BIN
AISI 304
11 GAL**

HIGHLY TRANSPORTABLE



Weight: 83 lbs

COMPLIANT TO



SPEC SHEET

| | Units | BL PRO |
|----------------------------------|----------------------|----------------------|
| Suction type | | Brushless motor |
| Power | HP | 2 1 ~ |
| Voltage Frequency | V Hz | 120 50 |
| Maximum vacuum | inH2O | 92 |
| Maximum air flow | CFM | 129 |
| Inlet | Ø in | 2 |
| Noise level - (EN ISO 3744) | dB(A) | 72 |
| Bin capacity | gal | 11 |
| Dimensions | in | 20.32 X 21.46 |
| Height | in | 41.33 |
| Weight | lb | 83.78 |
| Primary filter | | |
| Type | | Star filter |
| Surface area | in ² in | 930 - 14.56 |
| (Class EN 60335-2-69) | | M Class |
| Media | | Antistatic polyester |
| Primary filter - Optional | | |
| (Class - EN 1822) | | H 14 |
| Media | | Fiberglass |
| In suction | | Opt H14 |
| In suction | | E 10 |
| Engine air inlet cooling | | E 10 |
| Outgoing engine air cooling | | E 10 |

NORMATIVE REFERENCES

COMPLIANT TO

- NFPA 660
- NFPA 79
- UL 2011
- UL 508A
- CSA C22.2

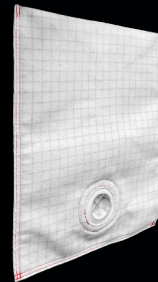
ACCESSORIES



ANTISTATIC STARTER KIT Ø 1.75 in



ANTISTATIC KIT PRO Ø 1.75 in



DISPOSABLE ANTISTATIC FILTER BAG



FILTER CARTRIDGE HEPA H14

PRE-SEPARATOR



CYCLONIC PRE-SEPARATOR